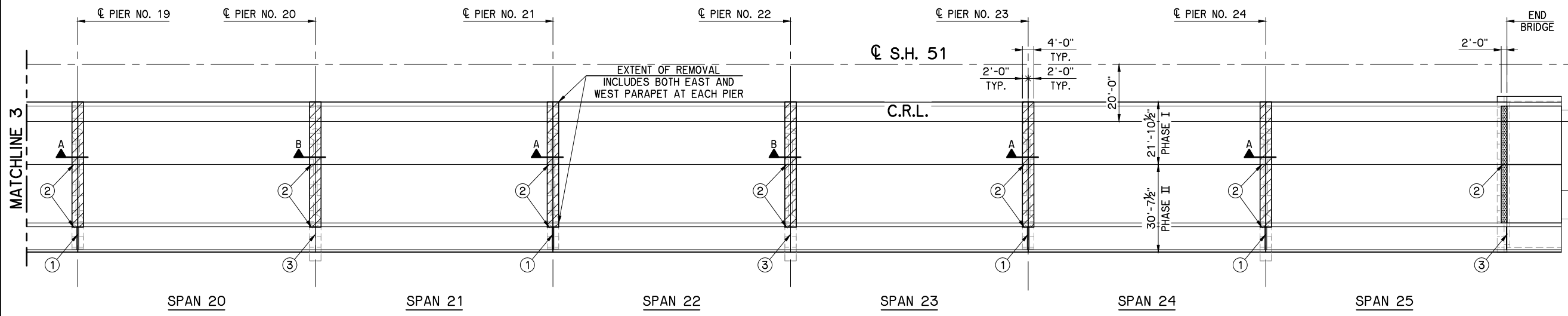
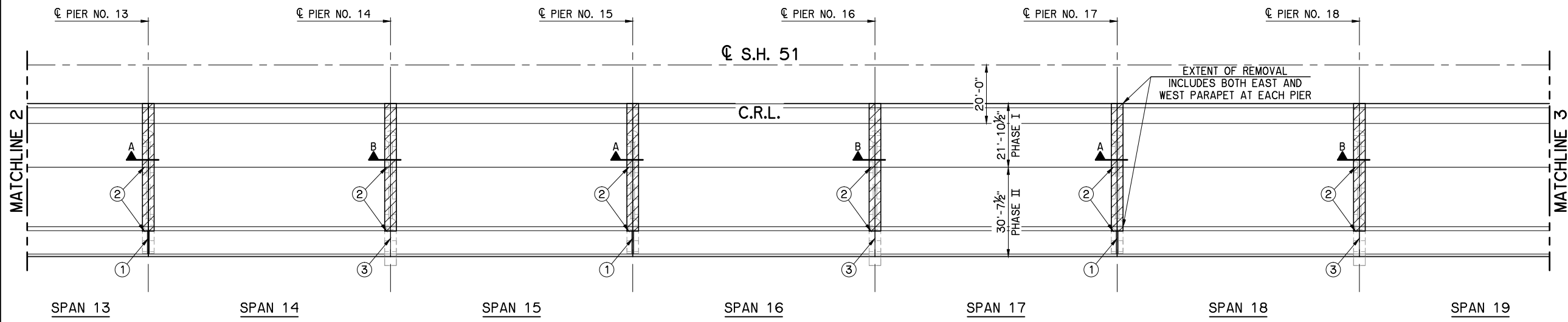


REVISIONS		
REV. NO.	DESCRIPTION	DATE



PARAPET REPAIR QUANTITIES				
(PNEUMATIC MORTAR REPAIR)				
SPAN	UNIT	PHASE I	PHASE II	
1	S.Y.	0.66	0.17	
2	S.Y.	0.72	0.17	
3	S.Y.	0.11	0.11	
4	S.Y.	0.22	0.39	
5	S.Y.	0.39	0.06	
6	S.Y.	0.39		
7	S.Y.	0.77	0.06	
8	S.Y.	0.33	0.06	
9	S.Y.	0.11	0.11	
10	S.Y.		0.61	
11	S.Y.		0.11	
12	S.Y.	0.33	0.61	
13	S.Y.	0.72		
14	S.Y.	0.55		
15	S.Y.	0.83	0.11	
16	S.Y.	0.50	0.06	
17	S.Y.		0.12	
18	S.Y.		0.50	
19	S.Y.		1.93	
20	S.Y.	0.28	1.93	
21	S.Y.		2.20	
22	S.Y.	0.55	0.50	
23	S.Y.	0.50		
24	S.Y.	0.06	0.06	
25	S.Y.			
TOTAL		8.02	9.87	

DECK REPAIR PLAN

LEGEND

	CLASS B BRIDGE DECK REPAIR
	CLASS C BRIDGE DECK REPAIR

- NOTES:
FOR SECTIONS A AND B, SEE SHEET 31.
- REPLACE JOINT SEALER IN ARMORED JOINTS IN SIDEWALK WITH RAPID CURE JOINT SEALANT. SEE SIDEWALK EXPANSION JOINT DETAIL ON SHEET 29.
 - SEAL CONSTRUCTION JOINT BETWEEN PHASES AT EACH PIER AND ABUTMENT, TRANSVERSE JOINTS BETWEEN NEW AND EXISTING CONCRETE EITHER SIDE OF EACH PIER AND BETWEEN THE SIDEWALK AND THE NEW DECK AT EACH PIER WITH HIGH MOLECULAR WEIGHT METHACRYLATE.
 - SAW AND SEAL EXISTING CONSTRUCTION JOINTS IN SIDEWALK. INCLUDE COST OF LABOR AND MATERIALS IN OTHER ITEMS OF WORK.

SH 51 NB OVER ARKANSAS RIVER		TULSA COUNTY	
Design	ADT	Detail	FEZ
Check	ADT	WHITE ENGINEERING ASSOCIATES	
DECK REPAIR PLAN		SHEET 2 OF 2	
STATE OF OKLAHOMA		DEPARTMENT OF TRANSPORTATION	
JOB PIECE NO. 31358(04)		SHEET NO. 30	

I:\Active\1626\Drawings\30 Deck Repair\Plan 2 of 2.dwg, 6/12/2017 11:28:09 AM, Fred